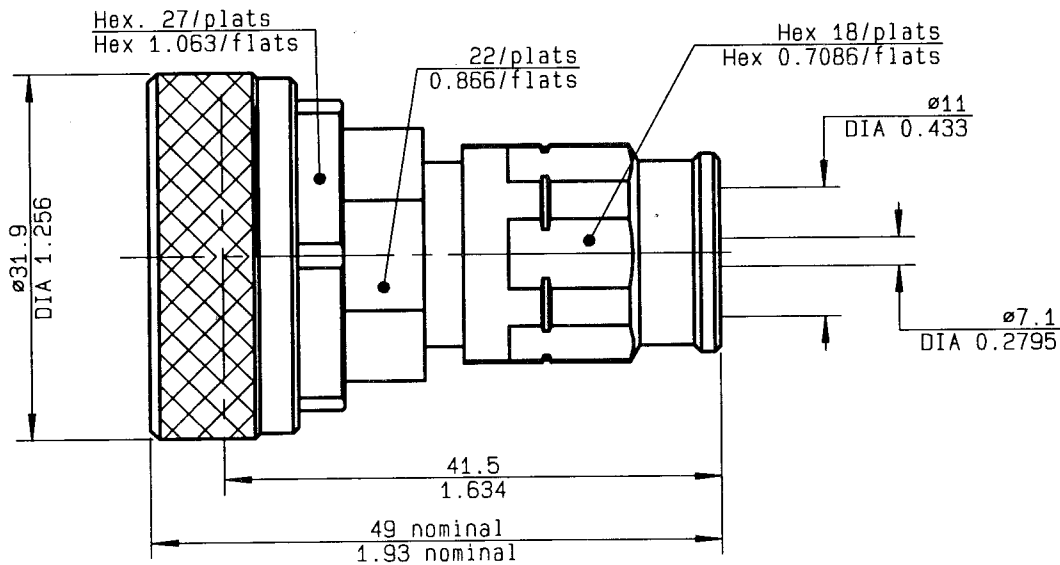


**STRAIGHT PLUG CLAMP TYPE
CABLE 3/8" HELICAL**

R185.032.200
SERIES 7-16



NOMINAL IMPEDANCE	50	Ω
FREQUENCY RANGE	0-7.5	GHz
TEMPERATURE RATING	-55/+155	$^{\circ}\text{C}$
V.S.W.R	1.30 +	0 x F(GHz)Maxi
RF INSERTION LOSS	0.05	\sqrt{F} (GHz) dB Maxi
VOLTAGE RATING	1400	Veff Maxi
DIELECTRIC WITHSTANDING VOLTAGE	2700	Veff Mini
INSULATION RESISTANCE	10000	M Ω Mini
HERMETIC SEAL	NA	Atm.cm ³ /s
LEAKAGE (pressurized only)	IP 67	
MCHANICAL DURABILITY	500	Cycles
WEIGHT	103.7	gr
SPECIFICATION		

CABLES : **FSJ2-50-3/8"HELIAx**
HCF 3/8" Cu2Y AlCu
HCF 3/8" CuH

OTHERS CHARACTERISTICS	ROS : 1.10 a 3 GHz
CABLE RETENTION	250 N Mini
CENTER CONTACT RETENTION	
Axial force - mating end	200 N Mini
Axial force - opposite end	100 N Mini
Torque	2 cm.N Mini
RECOMMENDED TORQUES	
Mating	3000 cm.N
Panel nut	NA cm.N
Clamp nut	950 cm.N

CONNECTOR PARTS	MATERIALS	FINISH	(all values are given) in micrometers
BODY	BRASS	BBR 0.5 OVER SILVER 3	
OUTER CONTACT	BRASS	SILVER 5 OVER COPPER 0.5	
CENTER CONTACT	BRASS	SILVER 5 OVER COPPER 0.5	
INSULATOR	PTFE	-	
GASKET	SILICONE RUBBER	-	
OTHERS PIECES	BRASS	BBR 2	

ISSUE	CREATION DATE	FILE PART-NUMBER
9945A00	04/05/1999	EPC 97-04



QUER.

The information given here is subject to change without notice.
Design changes may be in order to improve the product.

Connect to the future



RADIALL®

R185.032.200

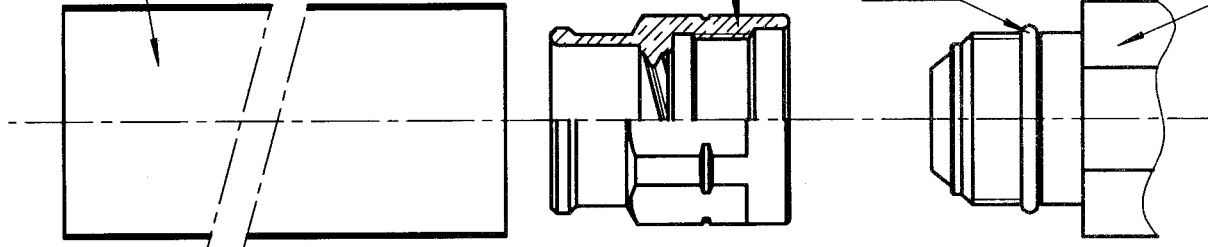
ISSUE 9945A00 SERIES 7-16

HEATSHRINK SLEEVE

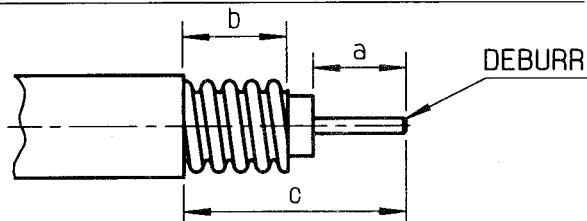
BRAID CLAMP NUT

GASKET

BODY

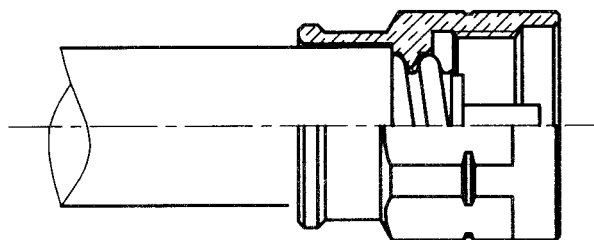


- ①
- Strip the cable.
Stripping tool R282.010.040
 - Do not damage the outer conductor.
 - Deburr cable inner conductor.

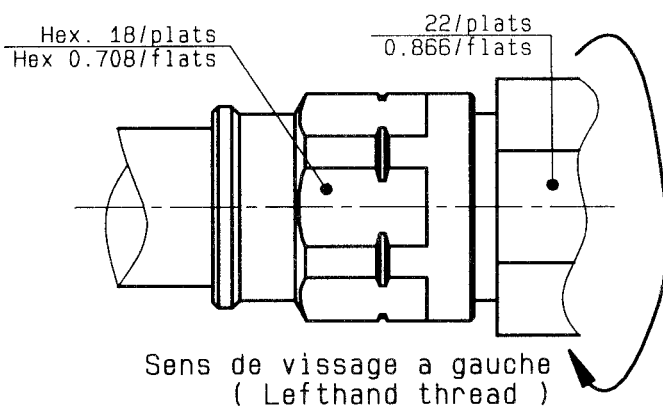


Stripping	a	b	c	d	e
inch	0.217	0.197	0.453	0	0
mm	5.5	5	11.5		

- ②
- Slide the heatshrink sleeve onto the cable.
 - Screw manually the braid clamp nut onto cable outer conductor until stop.



- ③
- Screw the connector onto the assembly.
- WARNING : Screw the connector on the braid clamp nut turning left (lefthand thread) so that the copper outer conductor is being squeezed.
- Torque wrench R282.303.220
Recommended coupling torque: 84.07 in.lb
950 Ncm



- ④
- Shrink the heatshrink sleeve.

Shrink the heatshrink sleeve

